

MANUFACTURER:



DRAWN BY:

CHECKED BY:

PRODUCT TITLE:

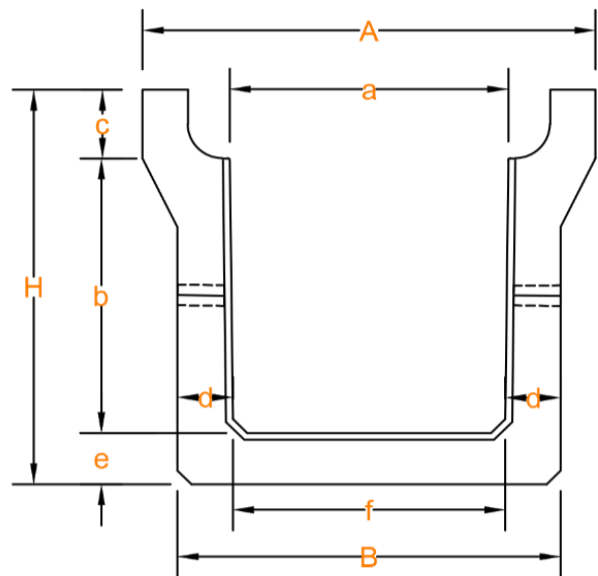
CONCRETE GUTTER

GUTTER T-25

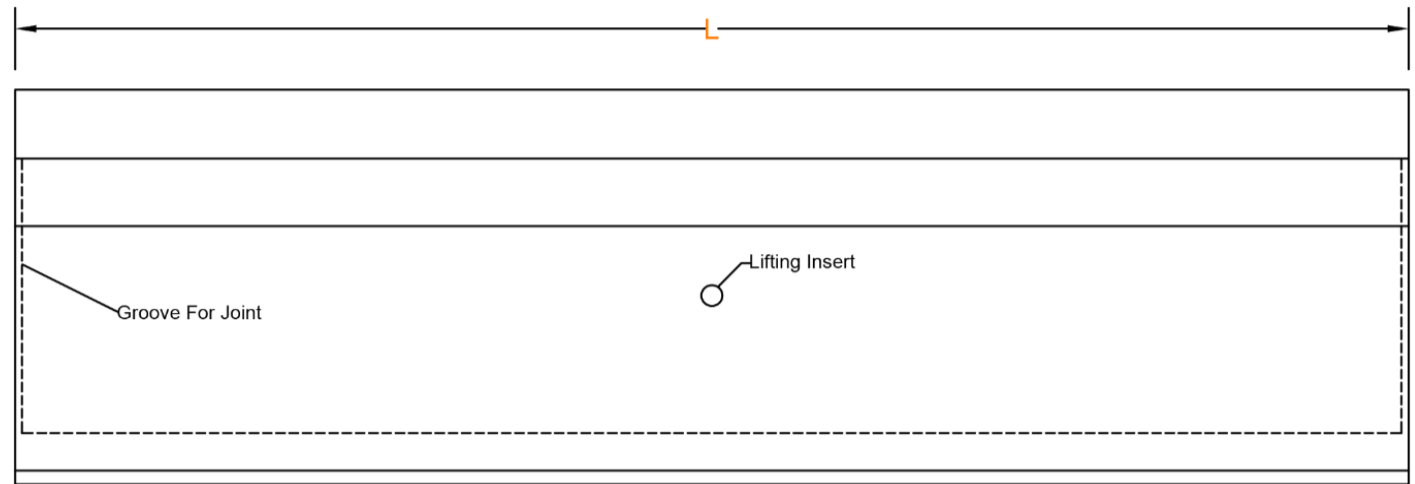
PAGE

1

PRODUCT DATA SHEET

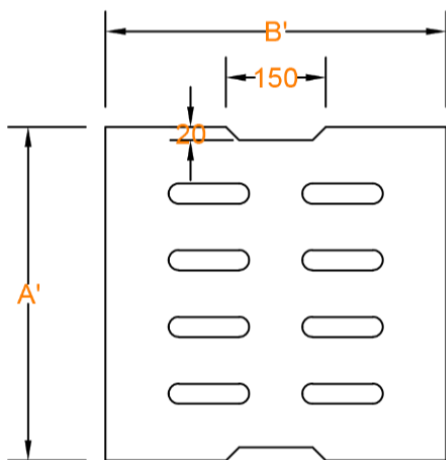


SECTION

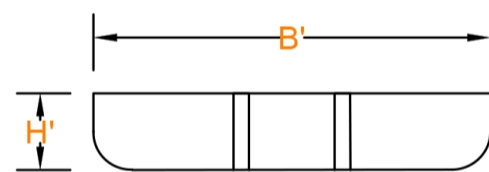


SIDE VIEW

GUTTER SIZE (mm)	DIMENSIONS OF GUTTER (mm)										WEIGHT (KG)
	a x b	L	A	B	H	a	b	c	d	e	
250 x 250	2000	450	350	390	250	250	90	50	50	240	350
300 x 300	2000	520	420	460	300	300	100	60	60	290	490
350 x 350	2000	590	490	520	350	350	100	70	70	340	590
400 x 400	2000	650	550	575	400	400	100	75	75	390	740

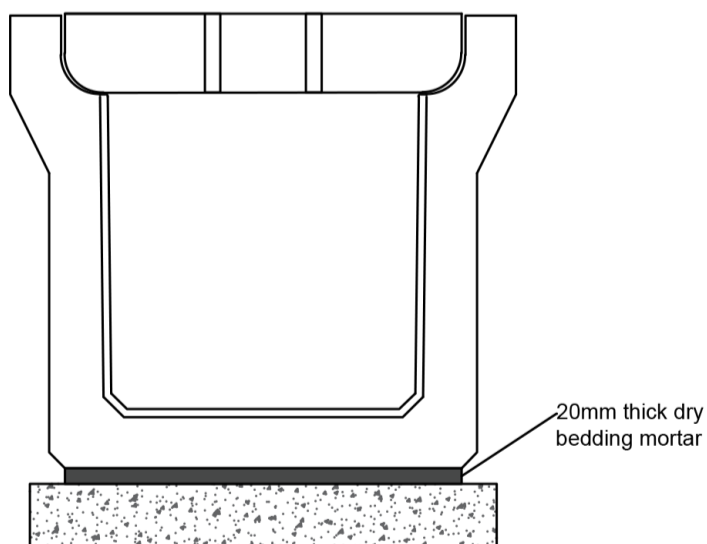


COVER PLAN

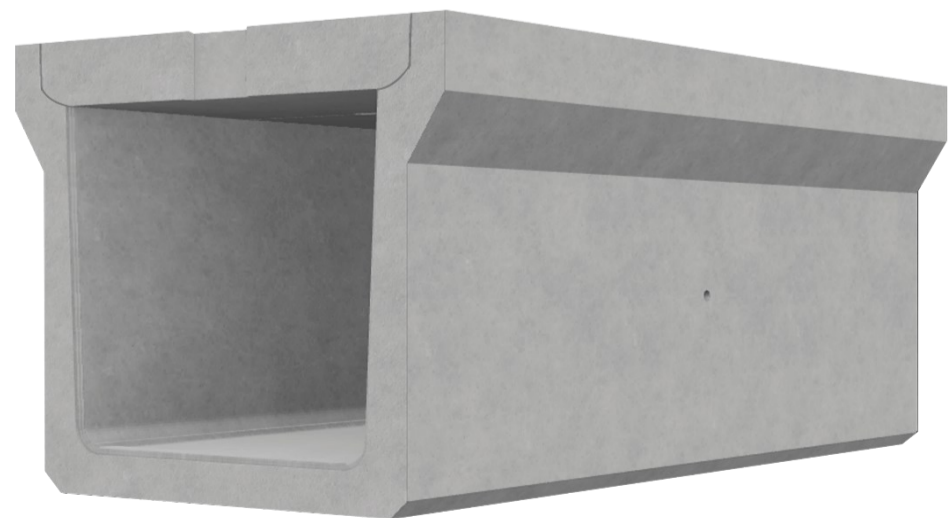


Cover Side View

SIZE OF GUTTER (mm)	COVER DIMENSIONS (mm)			WEIGHT (KG)
	a x b	A'	B'	
250 x 250	500	360	90	50
300 x 300	500	410	100	60
350 x 350	500	460	100	70
400 x 400	500	510	100	80



Typical Foundation



ISOMETRICS VIEW

NOTES:

1. ALL DIMENSIONS SUBJECT TO ALLOWABLE SPECIFICATION TOLERANCES AND PARAMETERS
2. MATERIALS
 - 2.1 CONCRETE SHALL BE CUBE STRENGTH TEST WITH CHARACTERISTIC STRENGTH IN MPa AT 28 DAYS
 - 2.2 REBARS
 - YIELD STRENGTH IN MPa
 - TENSILE STRENGTH IN MPa
3. DESIGNS SUBJECT TO 7RC STANDARD
4. CONCRETE STRENGTH IS 32MPa @ 28 DAYS